



**RIKO®**



MANUFACTURED IN ENGLAND

Landscapers • Tree Surgeons • Land Clearance Contractors

Forestry • Agriculture • Hire Companies

**Cone Splitter**

KCS500 • KCS800

# Cone Splitter

KCS500 • KCS800

The KCS500 and KCS800 are built for heavy-duty splitting tasks. They are specifically designed to maximize ease of use and productivity, while requiring very little maintenance.

They can be used for:

- Breaking up logs that are too big to fit into woodchippers
- Splitting large-diameter lengths of firewood to allow them to fit wood processors
- Reducing large pieces of waste wood such as stumps, permitting easier handling
- General firewood splitting work.

Their ability to split large pieces of wood in situ reduces the need for handling, both manually and with machinery, increasing efficiency and reducing the risk of injury caused by accidents during the handling process.

Compatible with:



Mini Skid-Steers



Sit-in Skid-Steers



Tractor Front-end Loaders



Telehandlers



Mini Articulated Loaders



Excavators



# Cone Splitter

KCS500 • KCS800

## Key Features



The cone tip is hardened to minimize wear under heavy usage, and can be replaced if required, without replacing the whole cone.



The low-speed, high-torque geroler motor removes the need for a reduction gearbox, minimizing the number of moving parts and maximizing efficiency.

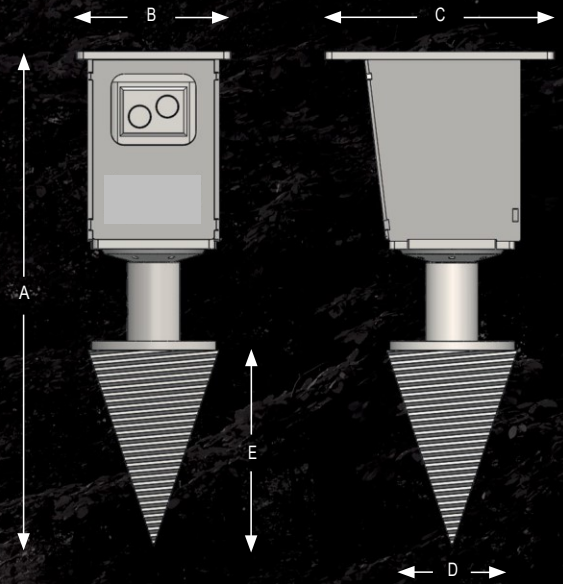


The aggressive cone taper angle and sharp, deep thread ensures that the cone rapidly splits the workpiece, without slipping.



The sturdy hydraulic hoses are protected from scuff wear by heavy-duty spiral wrap.

Dimensions (excluding tool grip)	KCS500	KCS800
A - Overall height (mm)	800	820
B - Overall width (mm)	235	235
C - Overall length (mm)	350	350
D - Cone diameter - widest (mm)	195	215
E - Overall height of cone (mm)	340	365
Overall weight (kg)	125	130



Hydraulic service requirements	KCS500	KCS800
Min/max flow (liters / min)	25 / 80	35 / 80
Min/max pressure (bar)	175 / 255	160 / 235
Case drain required?	No	No
Pressure-free return line required?	No	No



**Riko UK Ltd.**  
**[www.riko-uk.com](http://www.riko-uk.com)**

**Telephone: 01420 487300**  
**Email: [sales@riko-uk.com](mailto:sales@riko-uk.com)**